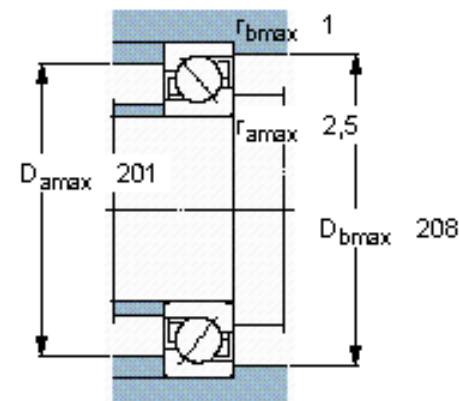
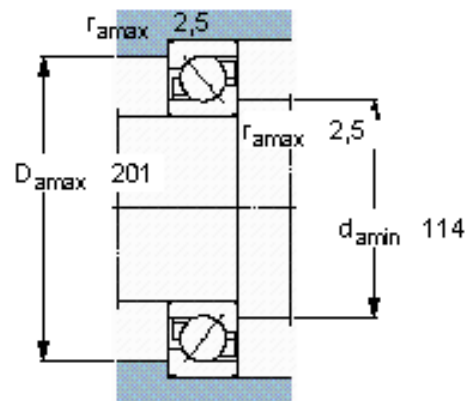
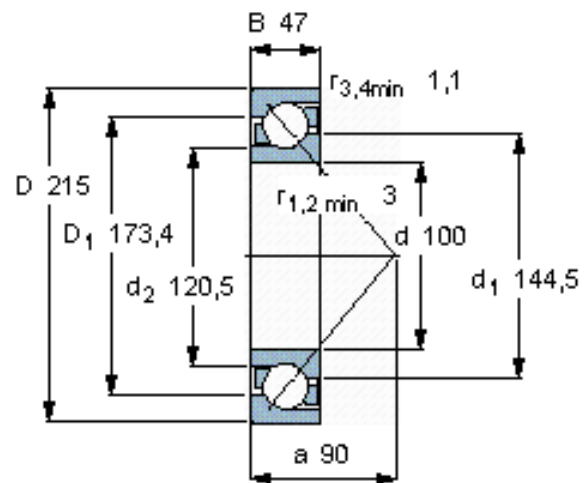


Angular contact ball bearings, single row

Principal dimensions			Basic load ratings		Fatigue load limit Pu	Speed ratings		Mass	Designation
d	D	B	dynamic	static		Reference speed	Limiting speed		
mm			kN		kN	r/min		kg	-
100	215	47	203	190	6,4	3600	3600	7,17	7320 BEP

* - SKF Explorer bearing



Calculation factors

$k_r 0,1$
 $k_a 1,6$
 $e 1,14$
 $X 0,35$
 $Y 0,57$
 $Y_0 0,26$