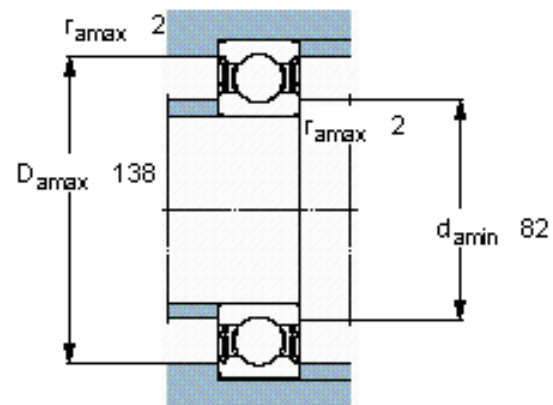
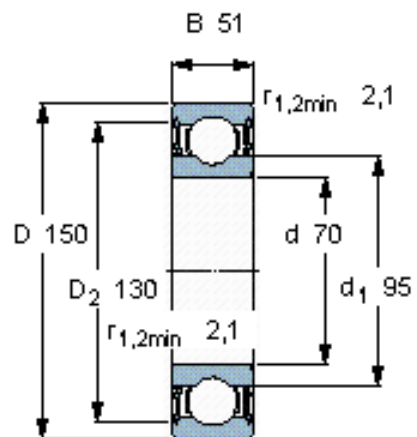


Deep groove ball bearings, single row

Principal dimensions			Basic load ratings		Fatigue load limit Pu	Speed ratings		Mass	Designation
d	D	B	dynamic	static		Reference speed	Limiting speed		
mm			kN	C0	kN	r/min		kg	* - SKF Explorer bearing
70	150	51	104	68	2,75	-	3000	3,55	62314-2RS1



Calculation factors

k_r 0,03
f₀ 13