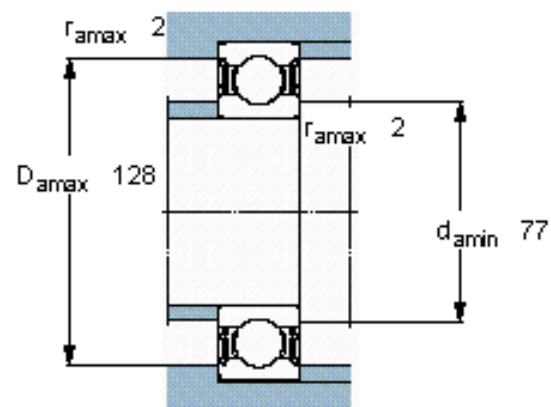
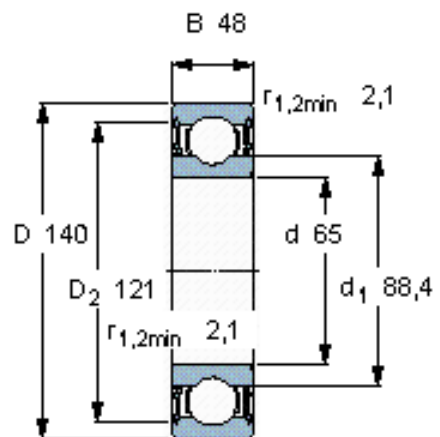


### Deep groove ball bearings, single row

Principal dimensions			Basic load ratings		Fatigue load limit Pu	Speed ratings		Mass	Designation
d	D	B	dynamic	static		Reference speed	Limiting speed		
mm			kN		kN	r/min		kg	-
65	140	48	92,3	60	2,5	-	3200	3	62313-2RS1

\* - SKF Explorer bearing



#### Calculation factors

k<sub>r</sub> 0,03  
f<sub>0</sub> 13