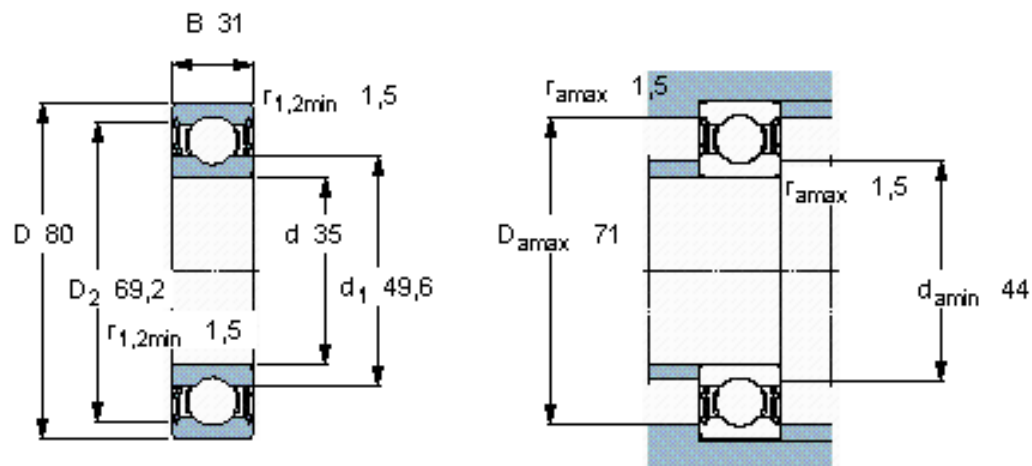


Deep groove ball bearings, single row

Principal dimensions			Basic load ratings		Fatigue load limit Pu	Speed ratings		Mass	Designation
d	D	B	dynamic	static		Reference speed	Limiting speed		
mm			kN		kN	r/min		kg	-
35	80	31	33,2	19	0,815	-	6000	0,66	62307-2RS1

* - SKF Explorer bearing



Calculation factors

k_r 0,03
 f_0 13