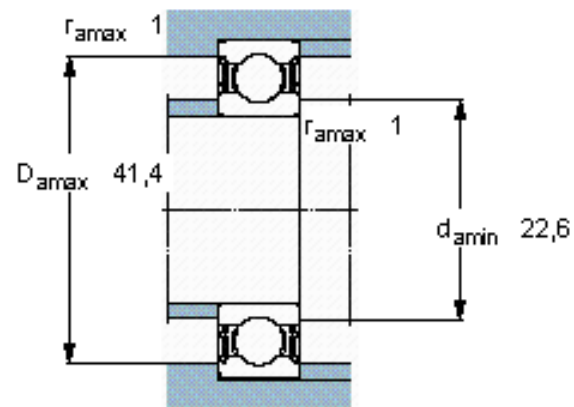
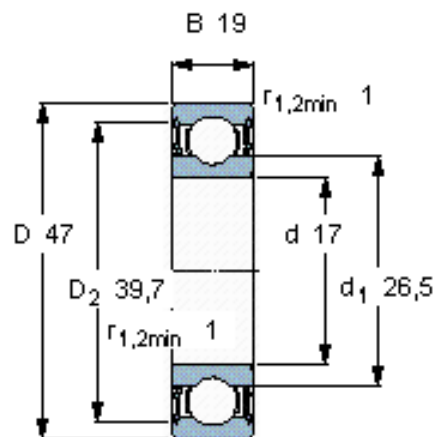


### Deep groove ball bearings, single row

Principal dimensions			Basic load ratings		Fatigue load limit Pu	Speed ratings		Mass	Designation
d	D	B	dynamic	static		Reference speed	Limiting speed		
mm			kN		kN	r/min		kg	-
17	47	19	13,5	6,55	0,275	-	11000	0,15	62303-2RS1

\* - SKF Explorer bearing



#### Calculation factors

k<sub>r</sub> 0,03  
f<sub>0</sub> 12