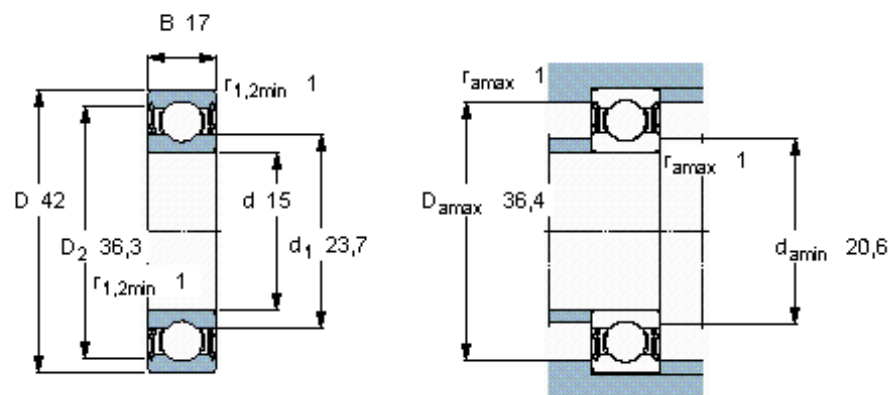


## Deep groove ball bearings, single row

Principal dimensions			Basic load ratings		Fatigue load limit Pu	Speed ratings		Mass	Designation
d	D	B	dynamic	static		Reference speed	Limiting speed		
mm			kN		kN	r/min		kg	-
15	42	17	11,4	5,4	0,228	-	12000	0,11	62302-2RS1

\* - SKF Explorer bearing



### Calculation factors

$k_r$  0,03  
 $f_0$  12