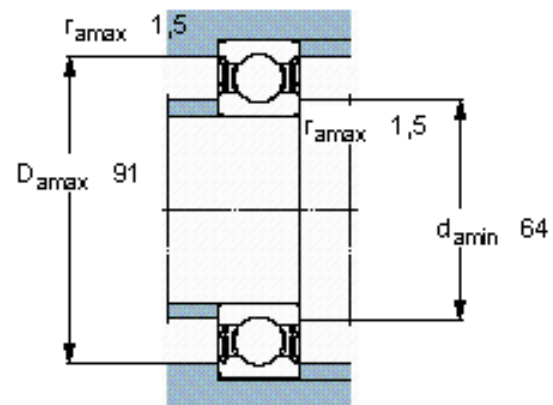
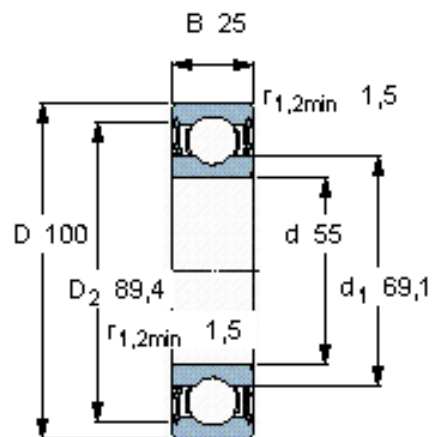


Deep groove ball bearings, single row

Principal dimensions			Basic load ratings		Fatigue load limit Pu	Speed ratings		Mass	Designation
d	D	B	dynamic	static		Reference speed	Limiting speed		
mm			kN		kN	r/min		kg	-
55	100	25	43,6	29	1,25	-	4300	0,7	62211-2RS1

* - SKF Explorer bearing



Calculation factors

k_r 0,025
f₀ 14