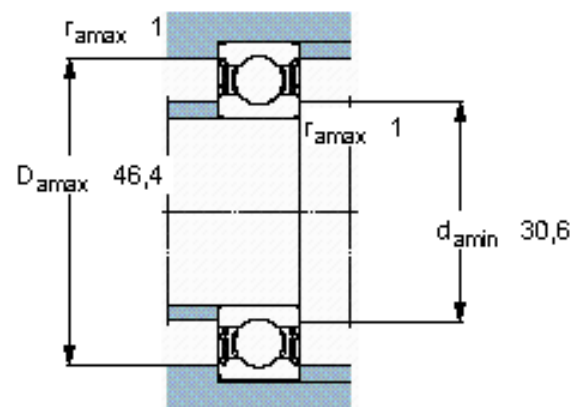
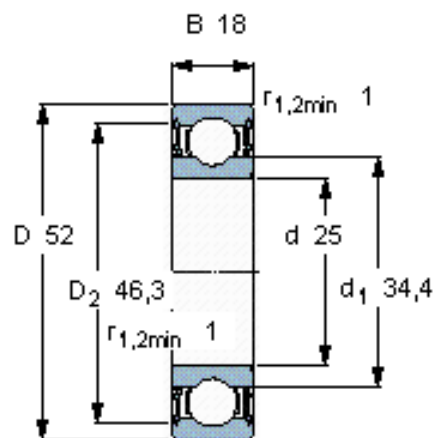


Deep groove ball bearings, single row

Principal dimensions			Basic load ratings		Fatigue load limit Pu	Speed ratings		Mass	Designation
d	D	B	dynamic	static		Reference speed	Limiting speed		
mm			kN		kN	r/min		kg	-
25	52	18	14	7,8	0,335	-	8500	0,15	62205-2RS1

* - SKF Explorer bearing



Calculation factors

k_r 0,025

f₀ 14