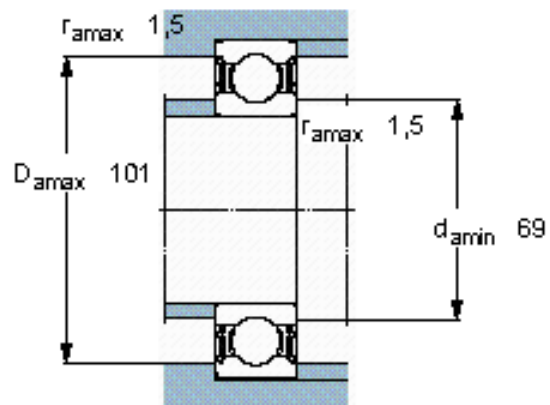
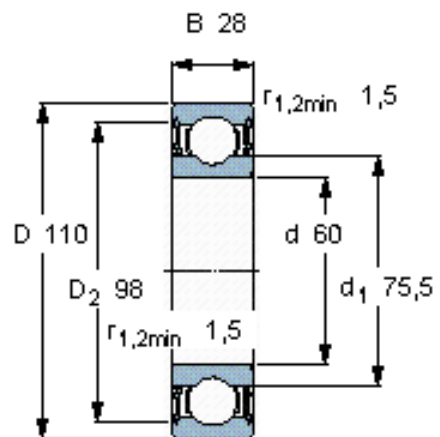


Deep groove ball bearings, single row

Principal dimensions			Basic load ratings		Fatigue load limit Pu	Speed ratings		Mass	Designation
d	D	B	dynamic	static		Reference speed	Limiting speed		
mm			kN	C0	kN	r/min		kg	* - SKF Explorer bearing
60	110	28	52,7	36	1,53	-	4000	0,97	62212-2RS1



Calculation factors

k_r 0,025
 f_0 14