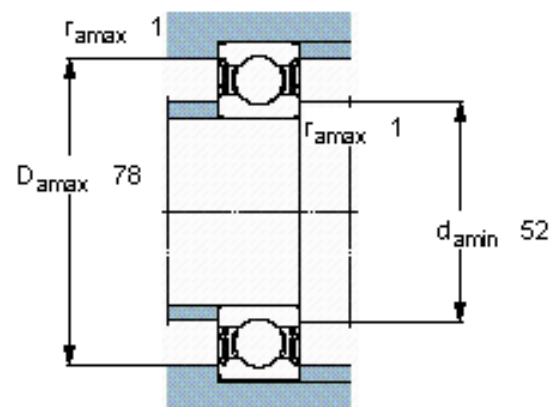
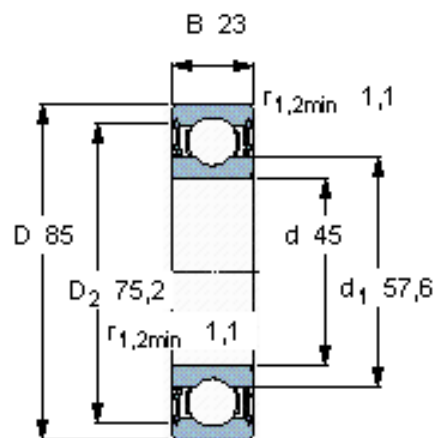


Deep groove ball bearings, single row

Principal dimensions			Basic load ratings		Fatigue load limit Pu	Speed ratings		Mass	Designation
d	D	B	dynamic	static		Reference speed	Limiting speed		
mm			kN	C0	kN	r/min		kg	* - SKF Explorer bearing
45	85	23	33,2	21,6	0,915	-	5000	0,48	62209-2RS1



Calculation factors

k_r 0,025
f₀ 14