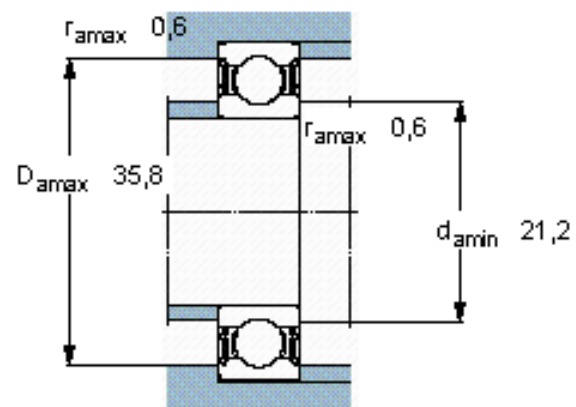
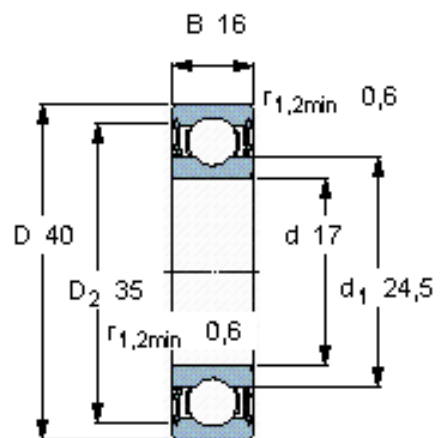


Deep groove ball bearings, single row

Principal dimensions			Basic load ratings		Fatigue load limit Pu	Speed ratings		Mass	Designation
d	D	B	dynamic	static		Reference speed	Limiting speed		
mm			kN		kN	r/min		kg	-
17	40	16	9,56	4,75	0,2	-	12000	0,083	62203-2RS1

* - SKF Explorer bearing



Calculation factors

k_r 0,025
f₀ 13