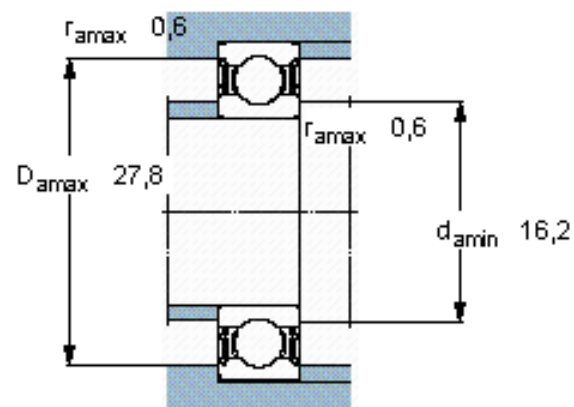
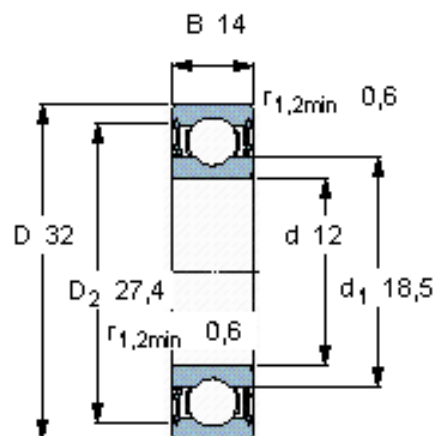


Deep groove ball bearings, single row

Principal dimensions			Basic load ratings		Fatigue load limit Pu	Speed ratings		Mass	Designation
d	D	B	dynamic	static		Reference speed	Limiting speed		
mm			kN		kN	r/min		kg	-
12	32	14	6,89	3,1	0,132	-	15000	0,045	62201-2RS1

* - SKF Explorer bearing



Calculation factors

k_r 0,025

f_0 12