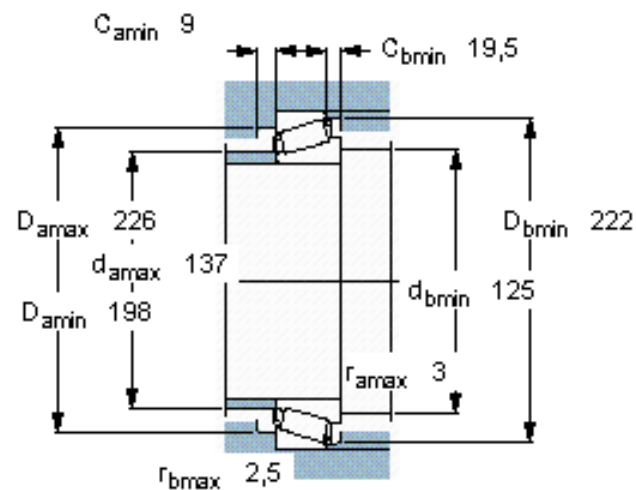
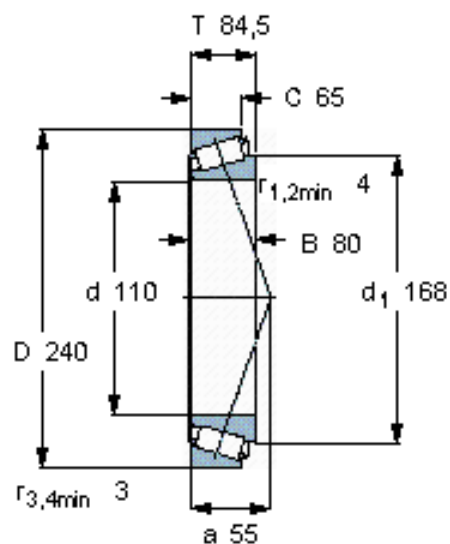


Taper roller bearings, single row

Principal dimensions			Basic load ratings		Fatigue load limit Pu	Speed ratings		Mass	Designation
d	D	T	dynamic	static		Reference speed	Limiting speed		
mm			kN		kN	r/min		kg	* - SKF Explorer bearing
110	240	84,5	627	830	86,5	1900	2800	17,0	32322



Calculation factors

e 0,35

Y 1,7

Y_0 0,9