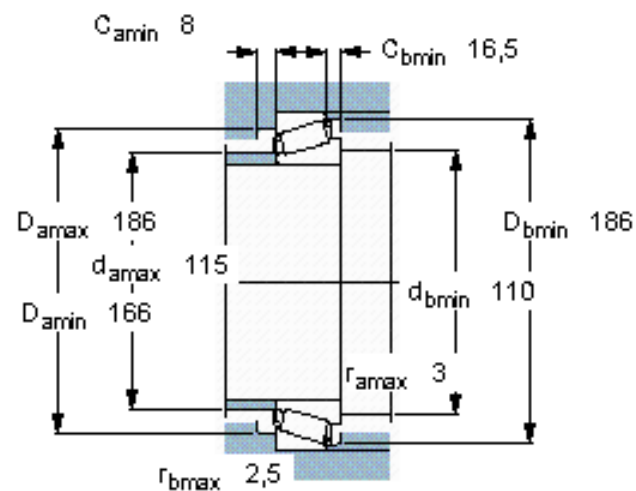
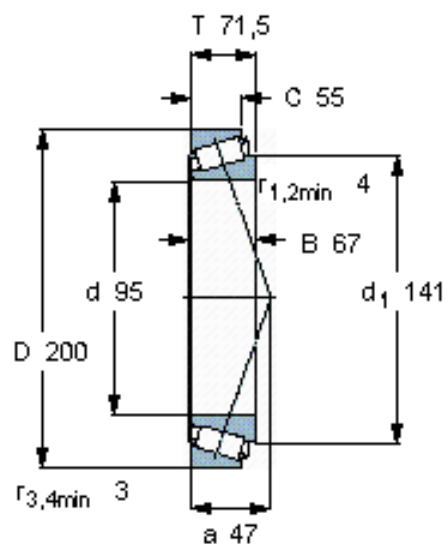


Taper roller bearings, single row

Principal dimensions			Basic load ratings		Fatigue load limit Pu	Speed ratings		Mass	Designation
d	D	T	dynamic	static		Reference speed	Limiting speed		
mm			kN	C0	kN	r/min		kg	-
95	200	71,5	501	670	72	2400	3400	11,0	32319 J2

* - SKF Explorer bearing



Calculation factors

e 0,35

Y 1,7

Y_0 0,9