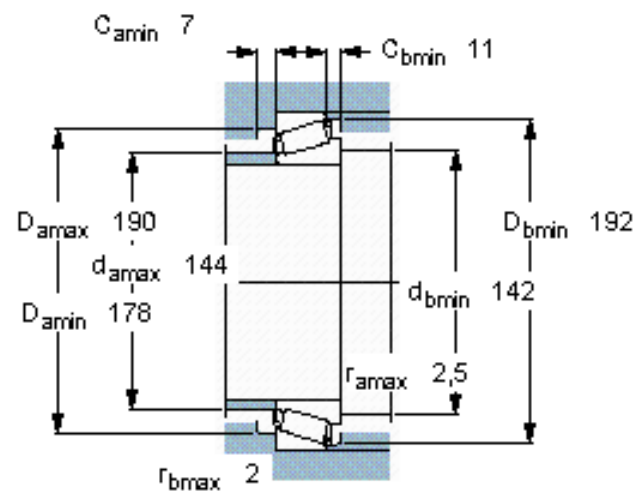
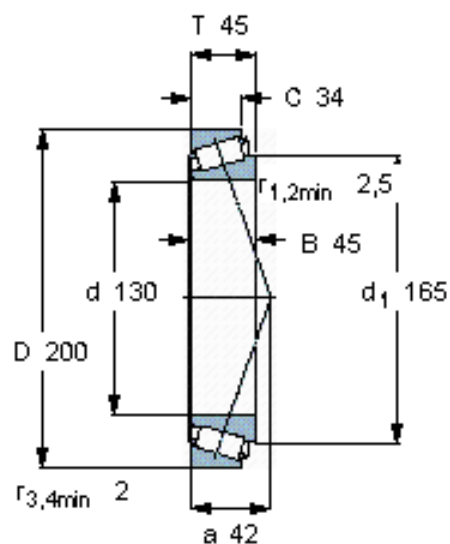


Taper roller bearings, single row

Principal dimensions			Basic load ratings		Fatigue load limit Pu	Speed ratings		Mass	Designation
d	D	T	dynamic	static		Reference speed	Limiting speed		
mm			kN		kN	r/min		kg	* - SKF Explorer bearing
130	200	45	314	540	55	2200	3000	4,95	32026 X



Calculation factors

e 0,43
 Y 1,4
 Y₀ 0,8