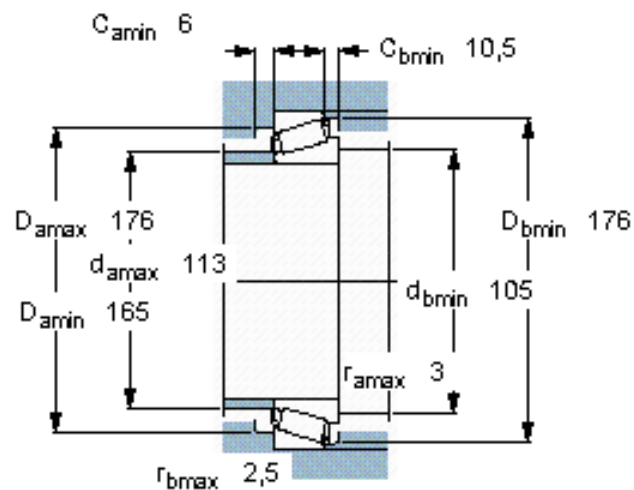
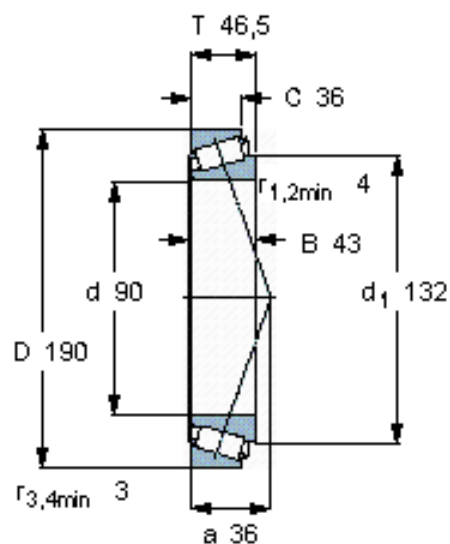


### Taper roller bearings, single row

| Principal dimensions |     |      | Basic load ratings |        | Fatigue load limit<br>Pu | Speed ratings   |                | Mass | Designation              |
|----------------------|-----|------|--------------------|--------|--------------------------|-----------------|----------------|------|--------------------------|
| d                    | D   | T    | dynamic            | static |                          | Reference speed | Limiting speed |      |                          |
| mm                   |     |      | kN                 |        | kN                       | r/min           |                | kg   | * - SKF Explorer bearing |
| 90                   | 190 | 46,5 | 330                | 400    | 44                       | 2600            | 4000           | 5,65 | 30318 J2                 |



#### Calculation factors

e 0,35  
 $\gamma$  1,7  
 $\gamma_0$  0,9