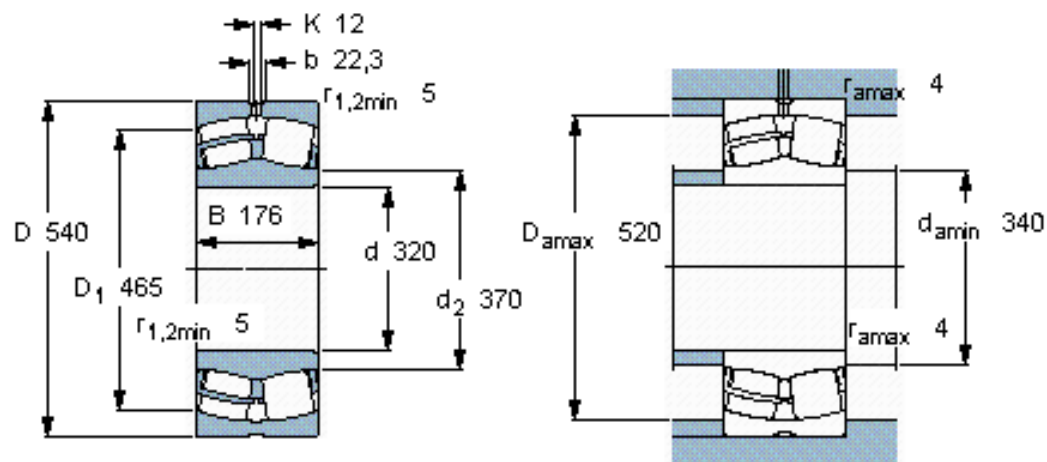


### Spherical roller bearings, cylindrical and tapered bore

Principal dimensions			Basic load ratings		Fatigue load limit Pu	Speed ratings		Mass	Designation
d	D	B	dynamic	static		Reference speed	Limiting speed		
mm			kN		kN	r/min		kg	-
320	540	176	3750	6000	440	850	1100	165	23164 CC/W33 *



#### Calculation factors

$e$  0,31  
 $Y_1$  2,2  
 $Y_2$  3,3  
 $Y_0$  2,2